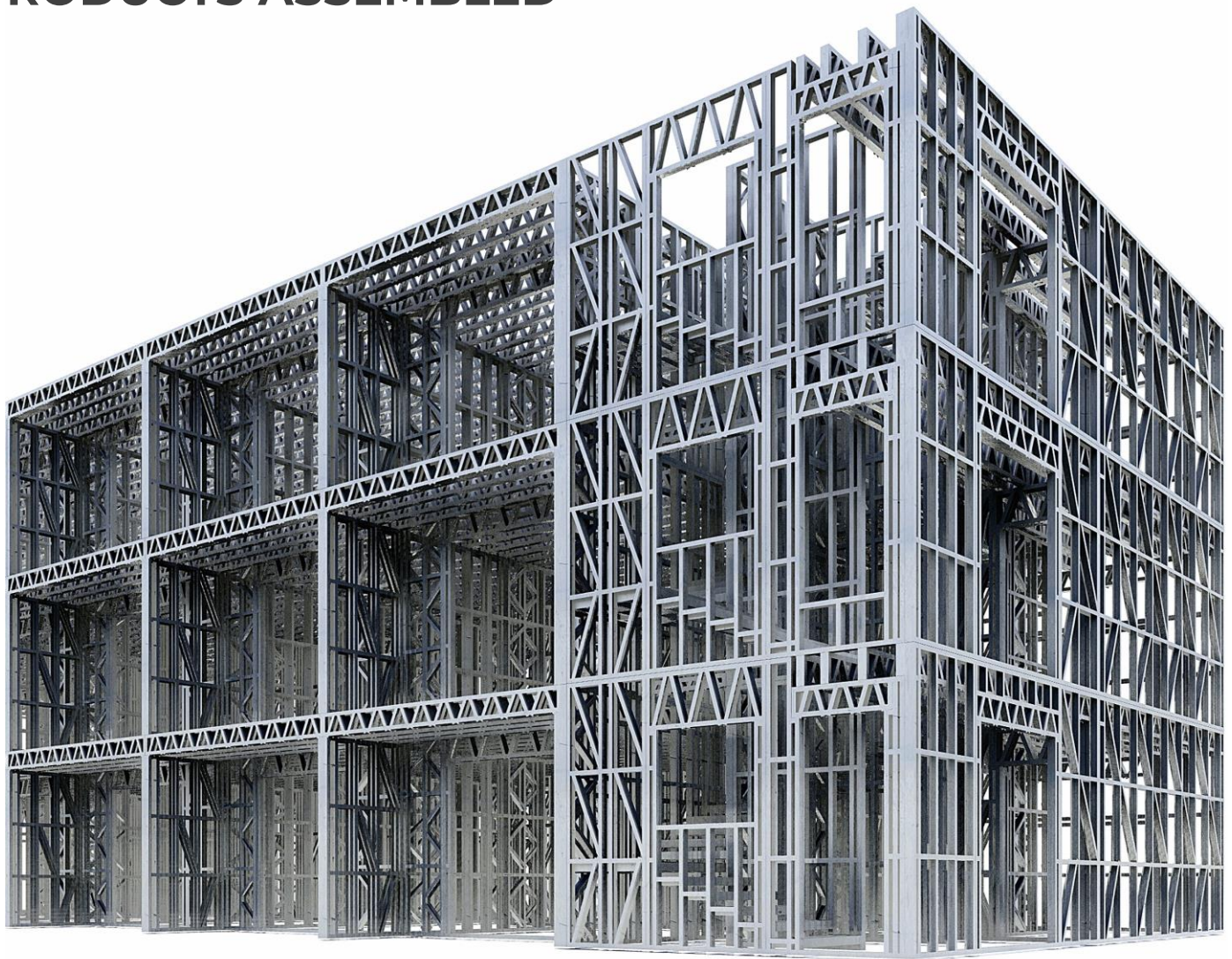


ECOLIT[®]

WE BUILD EVERYTHING YOU CAN IMAGINE

**METAL FRAME & FINISHED
PRODUCTS ASSEMBLED**



ECOLIT ESTONIA OÜ

Office: Aia 16, Rakvere, Eesti, Tel: +372 505 5393, www.ecolit.ee, e-mail: info@ecolit.ee

ECOLIT CONSTRUCTION SYSTEM NYC INC.

ECOLIT is a global construction company that specializes in sustainable and eco-friendly building technologies, specializing in sustainable and environmentally friendly construction technologies, it was founded in 2010 and has offices in 10 countries around the world. The head office in the USA is located in New Jersey in Manalapan and 2 production facilities are located in the central and western parts of America in Texas and California.

We use a proprietary light gauge steel framing system combined with a lightweight foam concrete that is poured into the steel frame walls and floors. We are a full-cycle company and have our own developments that allow us to construct buildings more efficiently than any other building technologies. Our system creates a monolithic, thermally efficient structure that is comparable to monolithic concrete, but is built quickly, like a Lego set.

ECOLIT's main advantages:

Speed: Faster construction but strong as reinforced concrete.

Durability: Long-lasting with low maintenance needs, 30 years warranty. Acoustic Insulation: High sound absorption for a quieter environment.

Design Flexibility: Allows for creative and complex architectural design.

Energy & Cost Efficiency: Excellent thermal insulation due to monolithic structure R value 35. Reduces energy consumption and costs through efficient construction processes. Fire resistance: High fire resistance rating up to 4 hours in combination with light concrete.

Reduced Carbon Footprint: Use of renewable energy in steel production and efficient foam concrete.

Sustainable Practices: High recycled content, produced using eco-friendly methods, contributing to decarbonization goals.

ECOLIT ESTONIA OÜ

Office: Aia 16, Rakvere, Eesti, Tel: +372 505 5393, www.ecolit.ee, e-mail: info@ecolit.ee

OUTDOOR KITCHEN

METAL FRAME & READY-MADE ASSEMBLED KITCHEN ISLAND

Easy to assemble and install by yourself or with contractors, a metal frame for an outdoor kitchen, consisting of modules of all necessary sizes from 24 inch to 48 inch, and perfectly combined with any site, of any shapes and sizes.

The frame is made of galvanized steel, which provides a solid foundation and a long service life with a 30-year warranty, regardless of operating conditions. Frame kits are packaged with all hardware required to assemble units quickly and easily, allowing you to create an outdoor kitchen of all sizes and shapes from compact rectangular modules to luxurious angular L-shaped and U-shaped shapes.

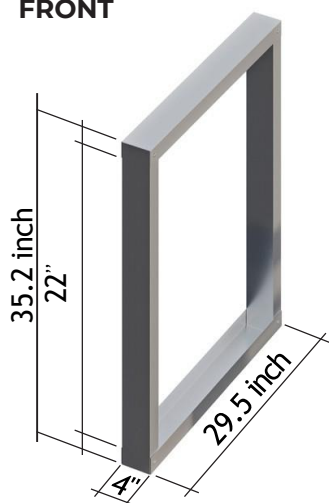
- PERMITS ARE NOT REQUIRED UP TO 200 SQ. FT.
- INSTALLATION OF A FULLY FINISHED KITCHEN IN 1 DAYS.
- SEPARATE METAL FRAME FOR SELF-INSTALLATION IS AVAILABLE.



OUTDOOR KITCHEN

MODEL O

FRONT



SIDE



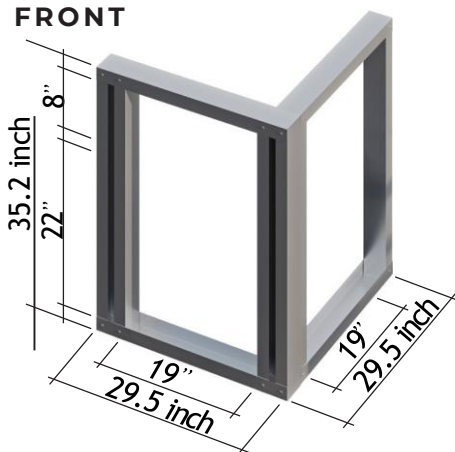
Overall Width | 29.5 inch
Overall Height | 35.2 inch
Overall Depth | 4 inch
Weight | 10 LB
Construction | 18Ga (.048)
Galvanized Steel
Non-Combustible

PRICE \$

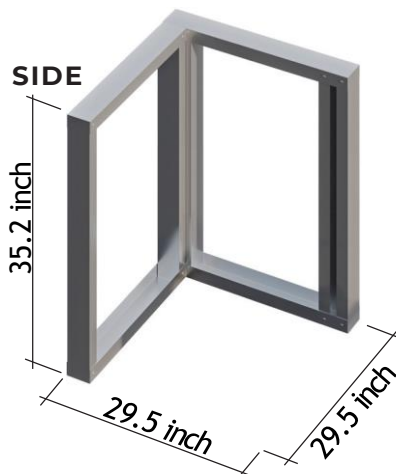
*Membership Save Up To 20% Off

MODEL L

FRONT



SIDE



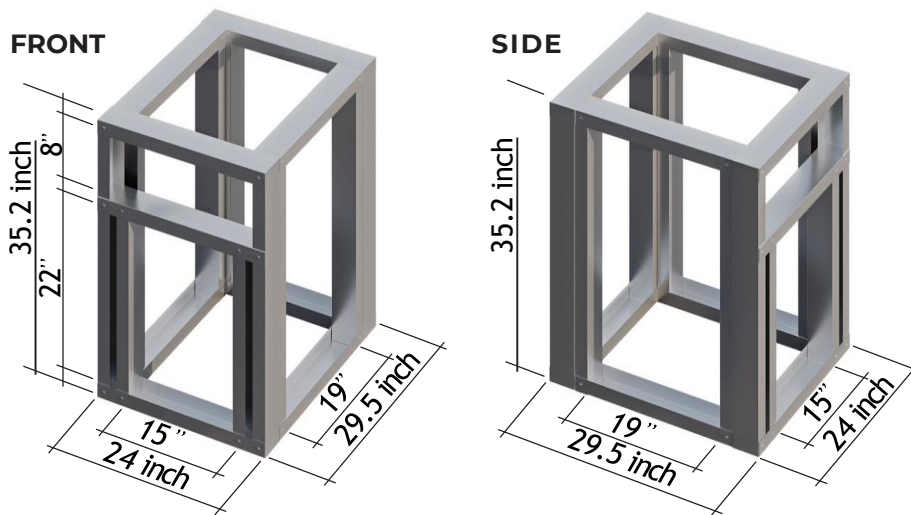
Overall Width | 29.5 inch
Overall Height | 35.2 inch
Overall Depth | 29.5 inch
Weight | 20 LB
Construction | 18Ga (.048)
Galvanized Steel
Non-Combustible

PRICE \$

*Membership Save Up To 20% Off

METAL FRAME FOR OUTDOOR KITCHEN

MODEL 24

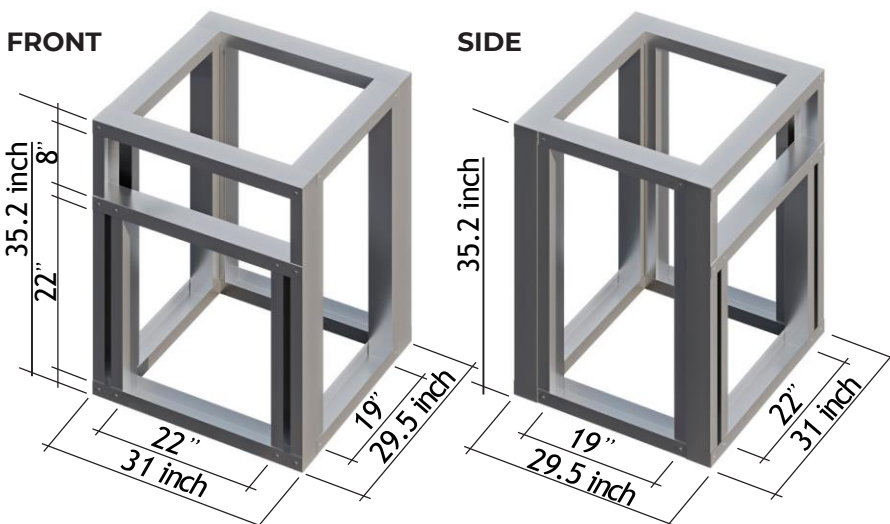


Door Opening | 15 x 22 inch
Overall Width | 24 inch
Overall Height | 35.2 inch
Overall Depth | 29.5 inch
Weight | 45 LB
Construction | 18Ga (.048)
Galvanized Steel
Non-Combustible

PRICE \$

*Membership Save Up To 20% Off

MODEL 31



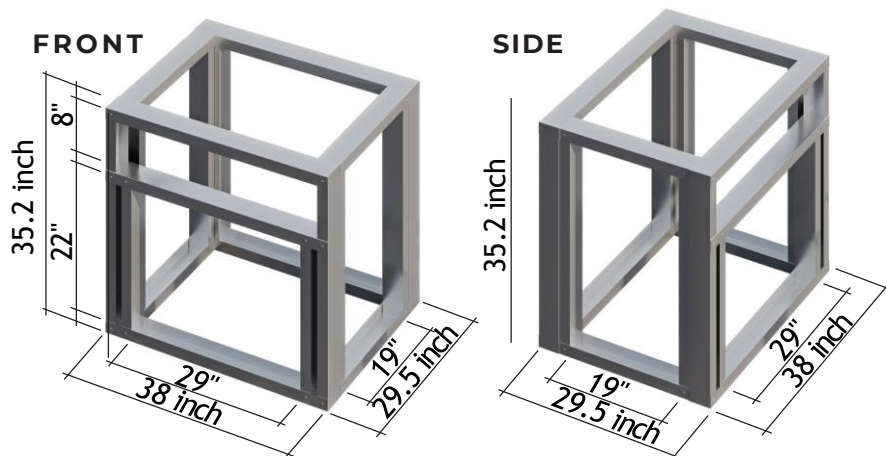
Door Opening | 22 x 22 inch
Overall Width | 31 inch
Overall Height | 35.2 inch
Overall Depth | 29.5 inch
Weight | 47 LB
Construction | 18Ga (.048)
Galvanized Steel
Non-Combustible

PRICE \$

*Membership Save Up To 20% Off

OUTDOOR KITCHEN

MODEL O

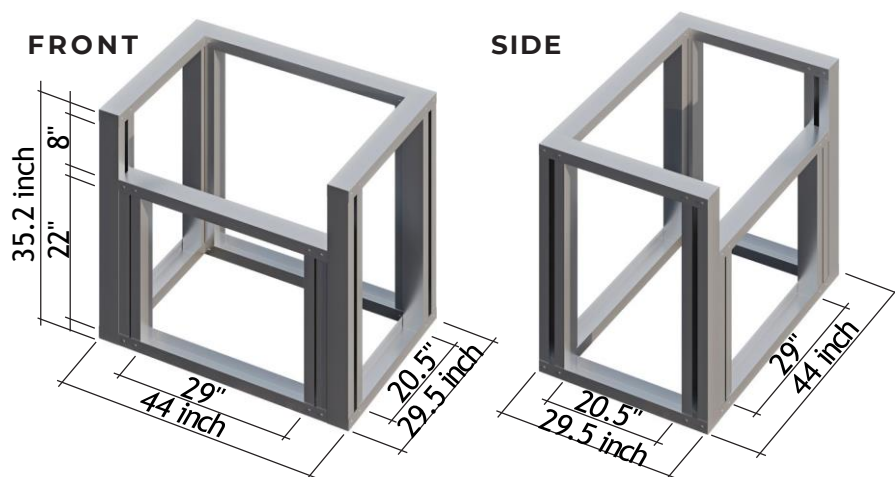


Door Opening | 15 x 22 inch
Overall Width | 24 inch
Overall Height | 35.2 inch
Overall Depth | 29.5 inch
Weight | 45 LB
Construction | 18Ga (.048)
Galvanized Steel
Non-Combustible

PRICE \$

*Membership Save Up To 20% Off

MODEL 44 GRILL



Door Opening | 22 x 22 inch
Overall Width | 31 inch
Overall Height | 35.2 inch
Overall Depth | 29.5 inch
Weight | 47 LB
Construction | 18Ga (.048)
Galvanized Steel
Non-Combustible

PRICE \$

*Membership Save Up To 20% Off

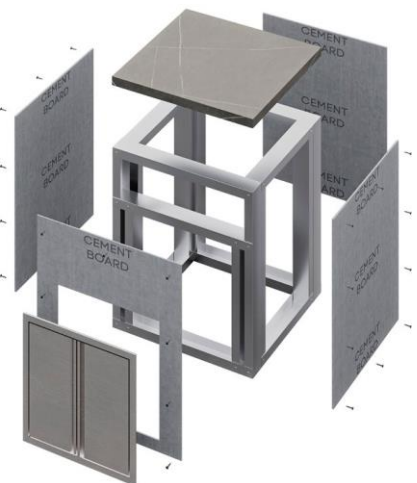
KITCHEN INSTALLATION PROCESS IN 3 STAGES

METAL FRAME CABINET MODEL 31

STAGE 1

INSTALLING:

- COUNTERTOP
- CEMENT BOARD
- DOORS



STAGE 2

INSTALLING:

- FINISHING MATERIALS
- NEXT CABINET



STAGE 3

ENJOY THE FINISHED KITCHEN

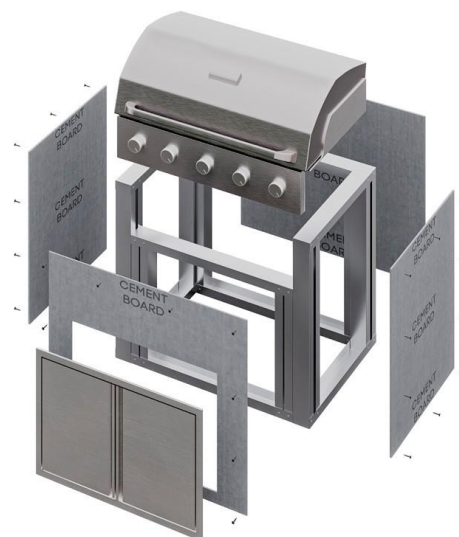


METAL FRAME CABINET MODEL 44 GRILL

STAGE 1

INSTALLING:

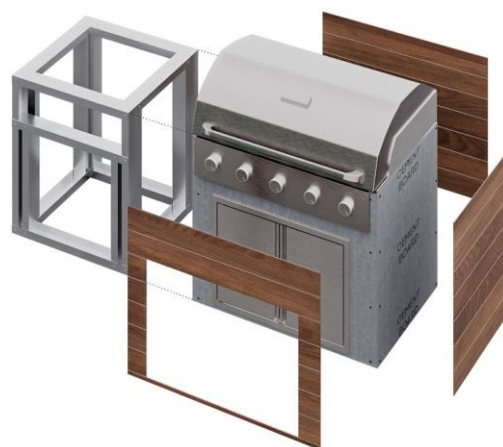
- GRILL
- CEMENT BOARD
- DOORS



STAGE 2

INSTALLING:

- FINISHING MATERIALS
- NEXT CABINET



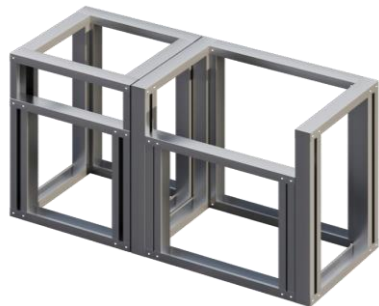
STAGE 3

ENJOY THE FINISHED KITCHEN



OUTDOOR KITCHEN

2 PIECE CABINET SET 75 IN



Set Includes:

1 x Cabinet 31 | Door 22 x 22 in.
1 x Cabinet 44 Grill | Door 29 x 22 in.
Overall Set Dimension | 75 in. W x 29.5in. D x 35.2 in. H
Frame | 18Ga Weather-resistant Galvanized Steel
Non-Combustible
Weight | 104 LB

PRICE \$

*Membership Save Up To 20% Off

3 PIECE CABINET SET 106 IN



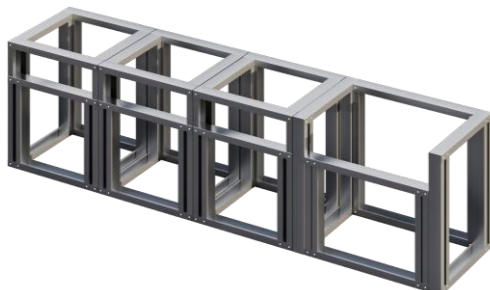
Set Includes:

2x Cabinet 31 | Door 22 x 22 in.
1 x Cabinet 44 Grill | Door 29 x 22 in.
Overall Set Dimension | 106 in. W x 29.5in. D x 35.2 in. H
Frame | 18Ga Weather-resistant Galvanized Steel
Non-Combustible
Weight | 152 LB

PRICE \$

*Membership Save Up To 20% Off

4 PIECE CABINET SET 130 IN



Set Includes:

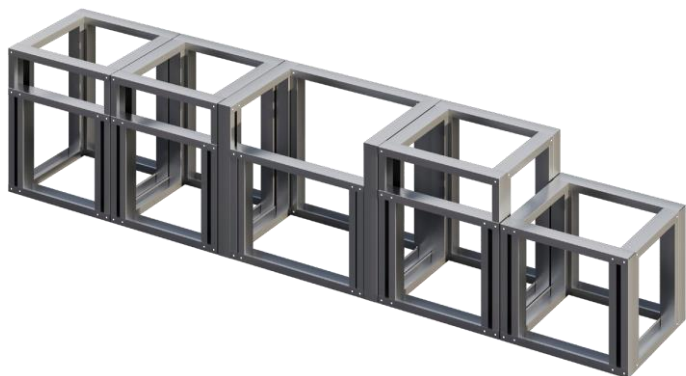
1 x Cabinet 24 Grill | Door 15 x 22 in.
2x Cabinet 31 | Door 22 x 22 in.
1 x Cabinet 44 Grill | Door 29 x 22 in.
Overall Set Dimension | 130 in. W x 29.5in. D x 35.2 in. H
Frame | 18Ga Weather-resistant Galvanized Steel
Non-Combustible
Weight | 197 LB

PRICE \$

*Membership Save Up To 20% Off

OUTDOOR KITCHEN

5 PIECE CABINET SET 158 IN



Pre-assembled metal frame cabinets set:

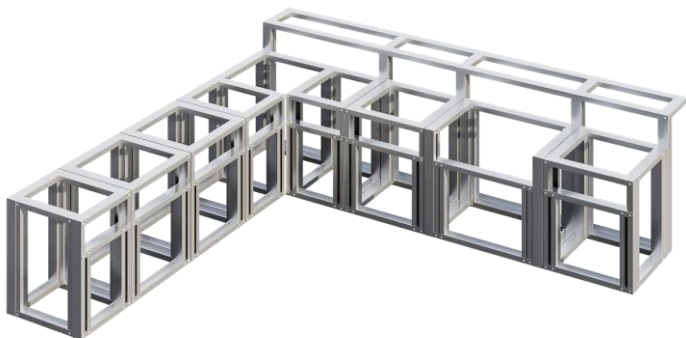
1 x Cabinet 28
 1 x Cabinet 24 | Door 15 x 22 in.
 2 x Cabinet 31 | Door 22 x 22 in.
 1 x Cabinet 44 Grill | Door 29 x 22 in.
 Overall Set Dimension | 158 in. W x 29.5 in. D
 x 35.2 in. H
 Frame | 18Ga Weather-resistant Galvanized Steel
 Non-Combustible
 Weight | 225 LB
 We offer!

- Full Manufacture Warranty!
- Same-Day Order Processing!
- All items, except custom-made products, will be shipped within 5 to 10 days!

PRICE \$

*Membership Save Up To 20% Off

9 PIECE CABINET SET 283 IN



Pre-assembled metal frame cabinets set:

1 x Bar Counter
 3 x Cabinet 24 | Door 15 x 22 in.
 2 x Cabinet 31 | Door 22 x 22 in.
 2 x Cabinet 38 | Door 29 x 22 in.
 1 x Cabinet 44 Grill | Door 29 x 22 in.
 Overall Set Dimension | 283 in. W x 29.5 in. D
 x 35.2 in. H
 Frame | 18Ga Weather-resistant Galvanized Steel
 Non-Combustible
 Weight | 450 LB
 We offer!

- Full Manufacture Warranty!
- Same-Day Order Processing!
- All items, except custom-made products, will be shipped within 5 to 10 days!

PRICE \$

*Membership Save Up To 20% Off

OUTDOOR KITCHEN

2 PIECE CABINET SET 75 IN



Fully assembled cabinet with ready-made finishing materials

2 x Double doors

1 x Countertop | Built In Grill

1 x Cabinet 31

1 x Cabinet 44 Grill

Overall Set Dimension | 75 in. W x 29.5 in. D x 35.2 in. H

Frame | 18Ga Weather-resistant Galvanized Steel

Non-Combustible

We offer!

- Full Manufacture Warranty!
- Same-Day Order Processing!
- All items, except custom-made products, will be shipped within 5 to 10 days!



PRICE \$

*Membership Save Up To 20% Off

3 PIECE CABINET SET 106 IN



Fully assembled cabinet with ready-made finishing materials

3 x Double doors

1 x Countertop | Built In Grill

2 x Cabinet 31

1 x Cabinet 44 Grill

Overall Set Dimension | 106 in. W x 29.5 in. D x 35.2 in. H

Frame | 18Ga Weather-resistant Galvanized Steel

Non-Combustible

We offer!

- Full Manufacture Warranty!
- Same-Day Order Processing!
- All items, except custom-made products, will be shipped within 5 to 10 days!



PRICE \$

*Membership Save Up To 20% Off

OUTDOOR KITCHEN

3 PIECE CABINET SET02 106 IN



Fully assembled cabinet with ready-made finishing materials

3 x Double doors

1 x Countertop | Built In Grill

2 x Cabinet 31

1 x Cabinet 44 Grill

Overall Set Dimension | 106 in. W x 29.5 in. D x 35.2 in. H

Frame | 18Ga Weather-resistant Galvanized Steel, Non-Combustible

We offer!

- Full Manufacture Warranty!
- Same-Day Order Processing!
- All items, except custom-made products, will be shipped within 5 to 10 days!



PRICE \$

*Membership Save Up To 20% Off

3 PIECE CABINET SET03 106 IN



Fully assembled cabinet with ready-made finishing materials

3 x Double doors

1 x Countertop | Built In Grill

2 x Cabinet 31

1 x Cabinet 44 Grill

Overall Set Dimension | 106 in. W x 29.5 in. D x 35.2 in. H

Frame | 18Ga Weather-resistant Galvanized Steel , Non-Combustible

We offer!

- Full Manufacture Warranty!
- Same-Day Order Processing!
- All items, except custom-made products, will be shipped within 5 to 10 days!



PRICE \$

*Membership Save Up To 20% Off

OUTDOOR KITCHEN

4 PIECE CABINET SET 130 IN



Fully assembled cabinet with ready-made finishing materials

4 x Double doors

1 x Sink | Countertop | Built In Grill

1 x Cabinet 24

2 x Cabinet 31

1 x Cabinet 44 Grill

Overall Set Dimension | 130 in. W x 29.5 in. D x 35.2 in. H

Frame | 18Ga Weather-resistant Galvanized Steel, Non-Combustible

We offer!

- Full Manufacture Warranty!
- Same-Day Order Processing!
- All items, except custom-made products, will be shipped within 5 to 10 days!

PRICE \$

*Membership Save Up To 20% Off



4 PIECE CABINET SET 158 IN



Fully assembled cabinet with ready-made finishing materials

4 x Double doors

1 x Sink | Countertop | Built In Grill

2 x Cabinet 24

2 x Cabinet 31

1 x Cabinet 44 Grill

Overall Set Dimension | 158 in. W x 29.5 in. D x 35.2 in. H

Frame | 18Ga Weather-resistant Galvanized Steel, Non-Combustible

We offer!

- Full Manufacture Warranty!
- Same-Day Order Processing!
- All items, except custom-made products, will be shipped within 5 to 10 days!

PRICE \$

*Membership Save Up To 20% Off



ECOLIT®

OUTDOOR KITCHEN

9 PIECE CABINET SET 283 IN



Fully assembled cabinet with ready-made finishing materials

8 x Set of doors
1 x Sink | Countertop |
Built In Grill Stove | Bar Counter |
Cabinet L
3 x Cabinet 24
2 x Cabinet 31
2 x Cabinet 38
1 x Cabinet 44 Grill

Overall Set Dimension | 283 in. W
x 29.5 in. D x 35.2 in. H
Frame | 18Ga Weather-resistant
Galvanized Steel
Non-Combustible

We offer!

- Full Manufacture Warranty!
- Same-Day Order Processing!
- All items, except custom-made products, will be shipped within 5 to 10 days!



PRICE \$

*Membership Save Up To 20% Off

ECOLIT ESTONIA OÜ

Office: Aia 16, Rakvere, Eesti, Tel: +372 505 5393, www.ecolit.ee, e-mail: info@ecolit.ee

ECOLIT®

OUTDOOR KITCHEN

METAL FRAME & READY-MADE ASSEMBLED KITCHEN ISLAND



ECOLIT ESTONIA OÜ

Office: Aia 16, Rakvere, Eesti, Tel: +372 505 5393, www.ecolit.ee, e-mail: info@ecolit.ee

OUTDOOR SAUNA

METAL FRAME & READY-MADE ASSEMBLED OUTDOOR SAUNA

The project of a frame-modular bathhouse in the high-tech style. The ECOLIT company manufactures a bathhouse in our factory and brings it to the site ready-made. Only the gable roof will remain to be assembled on the site.

The frame is made of galvanized steel, which provides a solid foundation and a long service life with a 30-year warranty, regardless of operating conditions. Frame kits are packaged with all hardware required to assemble units quickly and easily, allowing you to create an outdoor sauna of all sizes and shapes from compact square shape to luxurious rectangular.

- PERMITS ARE NOT REQUIRED UP TO 200 SQ. FT.
- INSTALLATION OF A FULLY FINISHED SAUNA IN 3 DAYS.
- SEPARATE METAL FRAME FOR SELF-INSTALLATION IS AVAILABLE.



GABLE ROOF OUTDOOR SAUNA - SMALL

PARAMETERS:

Bathhouse N 1 - Small.

Number of rooms | 1
Bathhouse area | 64 sq. ft.
Overall Dimension | W x D x H
 8 ft. x 8 ft. x 10 ft.

PRICE \$

*Membership Save Up To 20% Off

Bathhouse N 2 - Small.

Number of rooms | 1
Bathhouse area | 96 sq. ft.
Overall Dimension | W x D x H
 12 ft. x 8 ft. x 10 ft.

PRICE \$

*Membership Save Up To 20% Off

Bathhouse N 3 - Small.

Number of rooms | 2
Bathhouse area | 128 sq. ft.
Overall Dimension | W x D x H
 16 ft. x 8 ft. x 10 ft.

PRICE \$

*Membership Save Up To 20% Off

INCLUDED IN THE PRICE:

- **Frame** | 18Ga Weather-resistant Galvanized Steel | Non-Combustible
- **Insulation** | Mineral wool
- **Finishing** | Internal and external walls
- **Roofing** | Shingles
- **Glazing** | Windows and doors
- **Communications** | Water supply, sewerage and electrics

NOT INCLUDED IN THE PRICE:

- **Foundation** | Depends on the soil
- **Equipment**



GABLE ROOF OUTDOOR SAUNA - MEDIUM



PARAMETERS:

Bathhouse N 4 - Medium.

Number of rooms | 2
Bathhouse area | 100 sq. ft.
Overall Dimension | W x D x H
 10 ft. x 10 ft. x 10 ft.

PRICE \$

*Membership Save Up To 20% Off

Bathhouse N 5 - Medium.

Number of rooms | 2
Bathhouse area | 120 sq. ft.
Overall Dimension | W x D x H
 12 ft. x 10 ft. x 10 ft.

PRICE \$

*Membership Save Up To 20% Off

Bathhouse N 6 - Medium.

Number of rooms | 2
Bathhouse area | 160 sq. ft.
Overall Dimension | W x D x H
 16 ft. x 10 ft. x 10 ft.

PRICE \$

*Membership Save Up To 20% Off

INCLUDED IN THE PRICE:

- **Frame** | 18Ga Weather-resistant Galvanized Steel | Non-Combustible
- **Insulation** | Mineral wool
- **Finishing** | Internal and external walls
- **Roofing** | Shingles
- **Glazing** | Windows and doors
- **Communications** | Water supply, sewerage and electrics

NOT INCLUDED IN THE PRICE:

- **Foundation** | Depends on the soil
- **Equipment**



GABLE ROOF OUTDOOR SAUNA - LARGE



PARAMETERS:

Bathhouse N 7 - Large.

Number of rooms | 3
Bathhouse area | 144 sq. ft.
Overall Dimension | W x D x H
 12 ft. x 12 ft. x 10 ft.

PRICE \$

*Membership Save Up To 20% Off

Bathhouse N 8 - Large.

Number of rooms | 3
Bathhouse area | 192 sq. ft.
Overall Dimension | W x D x H
 16 ft. x 12 ft. x 10 ft.

PRICE \$

*Membership Save Up To 20% Off

Bathhouse N 9 - Large.

Number of rooms | 4
Bathhouse area | 240 sq. ft.
Overall Dimension | W x D x H
 20 ft. x 12 ft. x 10 ft.

PRICE \$

*Membership Save Up To 20% Off

INCLUDED IN THE PRICE:

- **Frame** | 18Ga Weather-resistant Galvanized Steel | Non-Combustible
- **Insulation** | Mineral wool
- **Finishing** | Internal and external walls
- **Roofing** | Shingles
- **Glazing** | Windows and doors
- **Communications** | Water supply, sewerage and electrics

NOT INCLUDED IN THE PRICE:

- **Foundation** | Depends on the soil
- **Equipment**

ECOLIT®

OUTDOOR SAUNA

METAL FRAME & READY-MADE ASSEMBLED OUTDOOR SAUNA

The project of a frame-modular bathhouse in the high-tech style. The ECOLIT company manufactures a bathhouse in our factory and brings it to the site ready-made. Only the roof will remain to be assembled on the site.

The frame is made of galvanized steel, which provides a solid foundation and a long service life with a 30-year warranty, regardless of operating conditions. Frame kits are packaged with all hardware required to assemble units quickly and easily, allowing you to create an outdoor sauna of all sizes and shapes from compact square shape to luxurious rectangular.

- PERMITS ARE NOT REQUIRED UP TO 200 SQ. FT.
- INSTALLATION OF A FULLY FINISHED SAUNA IN 3 DAYS.
- SEPARATE METAL FRAME FOR SELF-INSTALLATION IS AVAILABLE.



ECOLIT ESTONIA OÜ

Office: Aia 16, Rakvere, Eesti, Tel: +372 505 5393, www.ecolit.ee, e-mail: info@ecolit.ee

FLAT ROOF OUTDOOR SAUNA - LARGE



PARAMETERS:

Bathhouse N 1 - Large.

Number of rooms | 3
Bathhouse area | 144 sq. ft.
Overall Dimension | W x D x H
 12 ft. x 12 ft. x 10 ft.

PRICE \$

*Membership Save Up To 20% Off

Bathhouse N 2 - Large.

Number of rooms | 3
Bathhouse area | 192 sq. ft.
Overall Dimension | W x D x H
 16 ft. x 12 ft. x 10 ft.

PRICE \$

*Membership Save Up To 20% Off



Bathhouse N 3 - Large.

Number of rooms | 4
Bathhouse area | 240 sq. ft.
Overall Dimension | W x D x H
 20 ft. x 12 ft. x 10 ft.

PRICE \$

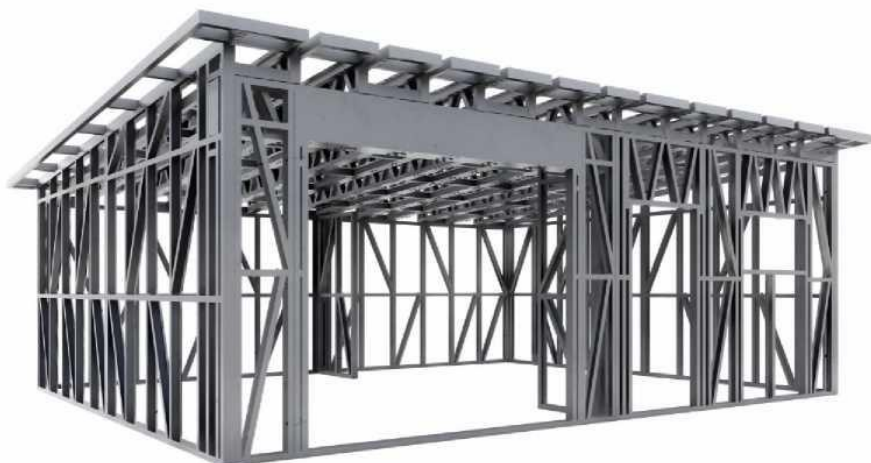
*Membership Save Up To 20% Off

INCLUDED IN THE PRICE:

- **Frame** | 18Ga Weather-resistant Galvanized Steel | Non-Combustible
- **Insulation** | Mineral wool
- **Finishing** | Internal and external walls
- **Roofing** | Shingles
- **Glazing** | Windows and doors
- **Communications** | Water supply, sewerage and electrics

NOT INCLUDED IN THE PRICE:

- **Foundation** | Depends on the soil
- **Equipment**



FLAT ROOF OUTDOOR SAUNA - MEDIUM



PARAMETERS:

Bathroom N 4 - Medium.

Number of rooms | 2
Bathroom area | 100 sq. ft.
Overall Dimension | W x D x H
10 ft. x 10 ft. x 10 ft.

PRICE \$

*Membership Save Up To 20% Off

Bathroom N 5 - Medium.

Number of rooms | 2
Bathroom area | 120 sq. ft.
Overall Dimension | W x D x H
12 ft. x 10 ft. x 10 ft.

PRICE \$

*Membership Save Up To 20% Off

Bathroom N 6 - Medium.

Number of rooms | 2
Bathroom area | 160 sq. ft.
Overall Dimension | W x D x H
16 ft. x 10 ft. x 10 ft.

PRICE \$

*Membership Save Up To 20% Off

INCLUDED IN THE PRICE:

- **Frame** | 18Ga Weather-resistant Galvanized Steel | Non-Combustible
- **Insulation** | Mineral wool
- **Finishing** | Internal and external walls
- **Roofing** | Shingles
- **Glazing** | Windows and doors
- **Communications** | Water supply, sewerage and electrics

NOT INCLUDED IN THE PRICE:

- **Foundation** | Depends on the soil
- **Equipment**



FLAT ROOF OUTDOOR SAUNA - SMALL



PARAMETERS:

Bathhouse N 4 - Small.

Number of rooms | 1
Bathhouse area | 64 sq. ft.
Overall Dimension | W x D x H
 8 ft. x 8 ft. x 10 ft.

PRICE \$

*Membership Save Up To 20% Off

Bathhouse N 5 - Small.

Number of rooms | 1
Bathhouse area | 96 sq. ft.
Overall Dimension | W x D x H
 12 ft. x 8 ft. x 10 ft.

PRICE \$

*Membership Save Up To 20% Off

Bathhouse N 6 - Small.

Number of rooms | 2
Bathhouse area | 128 sq. ft.
Overall Dimension | W x D x H
 16 ft. x 8 ft. x 10 ft.

PRICE \$

*Membership Save Up To 20% Off

INCLUDED IN THE PRICE:

- **Frame** | 18Ga Weather-resistant Galvanized Steel | Non-Combustible
- **Insulation** | Mineral wool
- **Finishing** | Internal and external walls
- **Roofing** | Shingles
- **Glazing** | Windows and doors
- **Communications** | Water supply, sewerage and electrics

NOT INCLUDED IN THE PRICE:

- **Foundation** | Depends on the soil
- **Equipment**



MOBILE HOUSE

METAL FRAME & READY-MADE ASSEMBLED MOBILE HOUSE

The project of a frame-modular mobile house in the modern style. The ECOLIT company manufactures a mobile house in our factory and sell it ready-made. The interior and exterior are prepared for use after purchase.

The frame is made of galvanized steel, which provides a solid foundation and a long service life with a 30-year warranty, regardless of operating conditions. Frame kits are packaged with all hardware required to assemble units quickly and easily, allowing you to create a mobile home of all sizes and shapes from compact square shape to luxurious rectangular.

- THE HOUSE IS FOR SALE WITH A TITLE.
- PERMITS ARE NOT REQUIRED FOR MOBILE HOUSES.
- SEPARATE METAL FRAME FOR SELF-INSTALLATION IS AVAILABLE.



FLAT ROOF MOBILE HOUSE - SMALL



PARAMETERS:

Mobile House N 1 - Small.

Number of rooms | 1
Home area | 128 sq. ft.
Overall Dimension | W x D x H
16 ft. x 8 ft. x 10 ft.

PRICE \$

*Membership Save Up To 20% Off

Mobile House N 2 - Small.

Number of rooms | 2
Home area | 144 sq. ft.
Overall Dimension | W x D x H
18 ft. x 8 ft. x 10 ft.

PRICE \$

*Membership Save Up To 20% Off

Mobile House N 3 - Small.

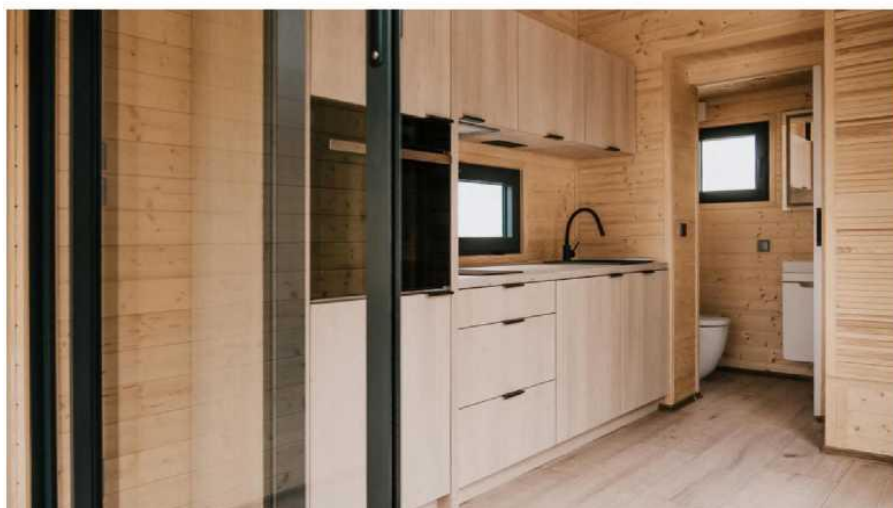
Number of rooms | 2
Home area | 160 sq. ft.
Overall Dimension | W x D x H
20 ft. x 8 ft. x 10 ft.

PRICE \$

*Membership Save Up To 20% Off

INCLUDED IN THE PRICE:

- **Frame** | 18Ga Weather-resistant Galvanized Steel | Non-Combustible
- **Insulation** | Mineral wool
- **Finishing** | Internal and external walls
- **Roofing** | Metal
- **Glazing** | Windows and doors
- **Communications** | Water supply, sewerage and electrics
- **Equipment** | Kitchen, bathroom
- **Furniture** | Kitchen, bedroom, bathroom, livingroom



FLAT ROOF MOBILE HOUSE - MEDIUM



PARAMETERS:

Mobile House N 4- Medium.

Number of rooms | 3
Home area | 176 sq. ft.
Overall Dimension | W x D x H
 22 ft. x 8 ft. x 10 ft.

PRICE \$

*Membership Save Up To 20% Off

Mobile House N 5 - Medium.

Number of rooms | 3
Home area | 192 sq. ft.
Overall Dimension | W x D x H
 24 ft. x 8 ft. x 10 ft.

PRICE \$

*Membership Save Up To 20% Off

Mobile House N 6 - Medium.

Number of rooms | 4
Home area | 240 sq. ft.
Overall Dimension | W x D x H
 30 ft. x 8 ft. x 10 ft.

PRICE \$

*Membership Save Up To 20% Off

INCLUDED IN THE PRICE:

- **Frame** | 18Ga Weather-resistant Galvanized Steel | Non-Combustible
- **Insulation** | Mineral wool
- **Finishing** | Internal and external walls
- **Roofing** | Metal
- **Glazing** | Windows and doors
- **Communications** | Water supply, sewerage and electrics
- **Equipment** | Kitchen, bathroom
- **Furniture** | Kitchen, bedroom, bathroom, livingroom



FLAT ROOF MOBILE HOUSE - LARGE



PARAMETERS:

Mobile House N 7 - Large.

Number of rooms | 4
Home area | 255 sq. ft.
Overall Dimension | W x D x H
 30 ft. x 8,5 ft. x 10 ft.

PRICE \$

*Membership Save Up To 20% Off

Mobile House N 8 - Large.

Number of rooms | 5
Home area | 306 sq. ft.
Overall Dimension | W x D x H
 36 ft. x 8,5 ft. x 10 ft.

PRICE \$

*Membership Save Up To 20% Off

Mobile House N 9 - Large.

Number of rooms | 6
Home area | 340 sq. ft.
Overall Dimension | W x D x H
 40 ft. x 8,5 ft. x 10 ft

PRICE \$

*Membership Save Up To 20% Off

INCLUDED IN THE PRICE:

- **Frame** | 18Ga Weather-resistant Galvanized Steel | Non-Combustible
- **Insulation** | Mineral wool
- **Finishing** | Internal and external walls
- **Roofing** | Metal
- **Glazing** | Windows and doors
- **Communications** | Water supply, sewerage and electrics
- **Equipment** | Kitchen, bathroom
- **Furniture** | Kitchen, bedroom, bathroom, livingroom



LUXURY MOBILE HOUSE

METAL FRAME & READY-MADE ASSEMBLED MOBILE HOUSE

The project of a frame-modular mobile house in the modern style. The ECOLIT company manufactures a mobile house in our factory and sell it ready-made. The interior and exterior are prepared for use after purchase.

The frame is made of galvanized steel, which provides a solid foundation and a long service life with a 30-year warranty, regardless of operating conditions. Frame kits are packaged with all hardware required to assemble units quickly and easily, allowing you to create a mobile home of all sizes and shapes from compact square shape to luxurious rectangular.

- THE HOUSE IS FOR SALE WITH A TITLE.
- PERMITS ARE NOT REQUIRED FOR MOBILE HOUSES.
- SEPARATE METAL FRAME FOR SELF-INSTALLATION IS AVAILABLE.



FLAT ROOF MOBILE HOUSE - LUXURY



PARAMETERS:

Mobile House N 1 - Luxury.

Number of rooms | 1
Bathroom area | 128 sq. ft.
Overall Dimension | W x D x H
16 ft. x 8 ft. x 10 ft.

PRICE \$

*Membership Save Up To 20% Off

Mobile House N 2 - Luxury.

Number of rooms | 2
Bathroom area | 144 sq. ft.
Overall Dimension | W x D x H
18 ft. x 8 ft. x 10 ft.

PRICE \$

*Membership Save Up To 20% Off

Mobile House N 3 - Luxury.

Number of rooms | 2
Bathroom area | 160 sq. ft.
Overall Dimension | W x D x H
20 ft. x 8 ft. x 10 ft.

PRICE \$

*Membership Save Up To 20% Off

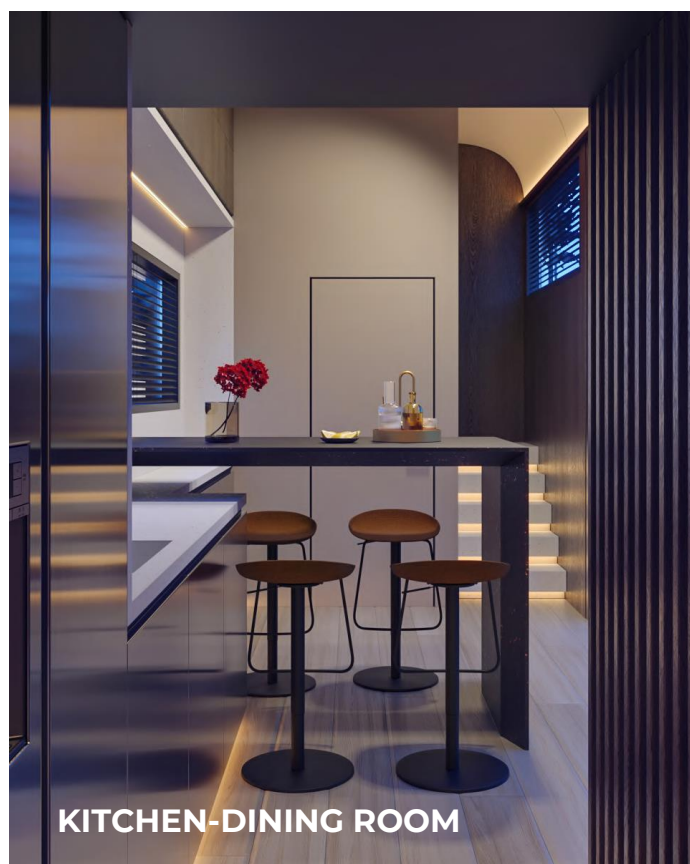
INCLUDED IN THE PRICE:

- **Frame** | 18Ga Weather-resistant Galvanized Steel | Non-Combustible
- **Insulation** | Mineral wool
- **Finishing** | Internal and external walls
- **Roofing** | Metal
- **Glazing** | Windows and doors
- **Communications** | Water supply, sewerage and electrics
- **Equipment** | Kitchen, bathroom
- **Furniture** | Kitchen, bedroom, bathroom, livingroom





KITCHEN-DINING ROOM



KITCHEN-DINING ROOM



LIVING ROOM



BEDROOM



OFFICE SPACE

METAL FRAME & READY-MADE ASSEMBLED OFFICE SPACE

The project of frame-modular partitions and a roof for an office space in a modern style. The ECOLIT company manufactures walls, floors and stairs in our factory and sell it ready-made. The interior and exterior are prepared for use after purchase.

The frame is made of galvanized steel, which provides a solid foundation and a long service life with a 30-year warranty, regardless of operating conditions. Frame kits are packaged with all hardware required to assemble units quickly and easily, allowing you to create an office space of all sizes and shapes from compact square shape to luxurious rectangular.

- PERMITS ARE NOT REQUIRED.
- INSTALLATION OF THE METAL FRAME OF THE OFFICE IN 1 DAY.
- SEPARATE METAL FRAME FOR SELF-INSTALLATION IS AVAILABLE.



ADDITIONAL OFFICE SPACE FROM METAL



PARAMETERS:

Office Space № 1 - Small.

Number of rooms | 1
Office area | up to 100 sq. ft.
Overall Dimension | W x D x H
 10 ft. x 10 ft. x 10 ft.

PRICE \$

*Membership Save Up To 20% Off

Office Space № 2 - Medium.

Number of rooms | 2-3
Office area | up to 200 sq. ft.
Overall Dimension | W x D x H
 16 ft. x 12 ft. x 10 ft.

PRICE \$

*Membership Save Up To 20% Off

Office Space № 3 - Large.

Number of rooms | 4 and more
Office area | from 200 sq. ft.
Overall Dimension | W x D x H
 20 ft. x 8 ft. x 10 ft.

PRICE \$

*Membership Save Up To 20% Off

INCLUDED IN THE PRICE:

- **Frame** | 18Ga Weather-resistant Galvanized Steel | Non-Combustible
- **Finishing** | Internal and external walls
- **Roofing** | Metal
- **Walls** | Metal

NOT INCLUDED IN THE PRICE:

- **Equipment**
- **Furniture**
- **Communications**



WALLS & PARTITIONS

METAL FRAME & READY-MADE ASSEMBLED WALLS & PARTITIONS

The project of frame-modular partitions, walls and a floor for a living space. The ECOLIT company manufactures a walls, partitions, floors and stairs in our factory and sell it ready-made. The interior walls are prepared for use after purchase.

The frame is made of galvanized steel, which provides a solid foundation and a long service life with a 30-year warranty, regardless of operating conditions. Frame kits are packaged with all hardware required to assemble units quickly and easily, allowing you to create walls and partitions of all sizes and shapes from compact square shape to luxurious rectangular.

- PERMITS ARE NOT REQUIRED.
- INSTALLATION OF THE METAL FRAME OF THE OFFICE IN 1 DAY.
- SEPARATE METAL FRAME FOR SELF-INSTALLATION IS AVAILABLE.



ADDITIONAL WALLS SPACE FROM METAL



PARAMETERS:

Wall Space № 1 - Small.

Number of walls | 1

Overall Dimension | W x D x H
8 ft. x 4 ft. x 8,5 ft.

PRICE \$

*Membership Save Up To 20% Off

Wall Space № 2 - Medium.

Number of walls | 2-3

Overall Dimension | W x D x H
12 ft. x 4 ft. x 8,5 ft.

PRICE \$

*Membership Save Up To 20% Off

Wall Space № 3 - Large.

Number of walls | 4 and more

Overall Dimension | W x D x H
20 ft. x 4 ft. x 8,5 ft.

PRICE \$

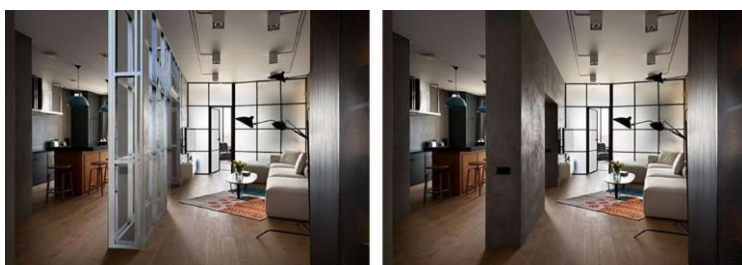
*Membership Save Up To 20% Off

INCLUDED IN THE PRICE:

- **Frame** | 18Ga Weather-resistant Galvanized Steel | Non-Combustible
- **Finishing** | Internal and external walls
- **Roofing** | Metal
- **Walls** | Metal

NOT INCLUDED IN THE PRICE:

- **Appliance**
- **Communications**



DETACHED GARAGE

METAL FRAME & READY-MADE ASSEMBLED OFFICE SPACE

The project of frame-modular detached garage in a modern style. The ECOLIT company manufactures a walls, floors and stairs in our factory and sell it ready-made. The interior and exterior are prepared for use after purchase.

The frame is made of galvanized steel, which provides a solid foundation and a long service life with a 30-year warranty, regardless of operating conditions. Frame kits are packaged with all hardware required to assemble units quickly and easily, allowing you to create a garage of all sizes and shapes from compact square shape to luxurious rectangular.

- PERMITS ARE NOT REQUIRED UP TO 200 SQ. FT.
- INSTALLATION OF A FULLY FINISHED GARAGE IN 3 DAYS.
- SEPARATE METAL FRAME FOR SELF-INSTALLATION IS AVAILABLE.



DETACHED GARAGE FROM METAL FRAME



PARAMETERS:

Garage Space № 1 - Small.

Number of cars | 1
Office area | 280 sq. ft.
Overall Dimension | W x D x H
 20 ft. x 14 ft. x 10 ft.

PRICE \$

*Membership Save Up To 20% Off

Garage Space № 2 - Medium.

Number of cars | 2
Office area | 480 sq. ft.
Overall Dimension | W x D x H
 24 ft. x 20 ft. x 10 ft.

PRICE \$

*Membership Save Up To 20% Off

Garage Space № 3 - Large.

Number of cars | 2+1
Office area | 816 sq. ft.
Overall Dimension | W x D x H
 34 ft. x 24 ft. x 10 ft.

PRICE \$

*Membership Save Up To 20% Off

INCLUDED IN THE PRICE:

- **Frame** | 18Ga Weather-resistant Galvanized Steel | Non-Combustible
- **Finishing** | Internal and external walls
- **Roofing** | Metal
- **Walls** | Metal

NOT INCLUDED IN THE PRICE:

- **Equipment**
- **Furniture**
- **Communications**



STREET GREENHOUSE

METAL FRAME & READY-MADE ASSEMBLED GREENHOUSE

The project of frame-modular detached greenhouse. The ECOLIT company manufactures greenhouses in our factory and sell it ready-made. The interior and exterior are prepared for use after purchase.

The frame is made of galvanized steel, which provides a solid foundation and a long service life with a 30-year warranty, regardless of operating conditions. Frame kits are packaged with all hardware required to assemble units quickly and easily, allowing you to create a greenhouse of all sizes and shapes from compact square shape to luxurious rectangular.

- PERMITS ARE NOT REQUIRED UP TO 200 SQ. FT.
- INSTALLATION OF A GREENHOUSE IN 1 DAYS.
- SEPARATE METAL FRAME FOR SELF-INSTALLATION IS AVAILABLE.

READY-MADE DETACHED GREENHOUSE



DETACHED GREENHOUSE FROM METAL FRAME



PARAMETERS:

Greenhouse Space № 1 - Small.

Number of rooms | 1
Office area | 80 sq. ft.
Overall Dimension | W x D x H
10 ft. x 8 ft. x 10 ft.

PRICE \$

*Membership Save Up To 20% Off

Greenhouse Space № 2 - Medium.

Number of rooms | 1
Office area | 160 sq. ft.
Overall Dimension | W x D x H
16 ft. x 10 ft. x 10 ft.

PRICE \$

*Membership Save Up To 20% Off

Greenhouse Space № 3 - Large.

Number of rooms | 2
Office area | 288 sq. ft.
Overall Dimension | W x D x H
24 ft. x 12 ft. x 10 ft.

PRICE \$

*Membership Save Up To 20% Off

INCLUDED IN THE PRICE:

- **Frame** | 18Ga Weather-resistant Galvanized Steel | Non-Combustible
- **Finishing** | Internal and external walls
- **Roofing** | Metal
- **Walls** | Metal

NOT INCLUDED IN THE PRICE:

- **Equipment**
- **Furniture**
- **Communications**



HOUSE BOAT

METAL FRAME & READY-MADE ASSEMBLED HOUSE ON THE WATER

The project of a frame-modular house on the water in the modern style. The ECOLIT company manufactures a house on the water in our factory and sell it ready-made. The interior and exterior are prepared for use after purchase.

The frame is made of galvanized steel, which provides a solid foundation and a long service life with a 30-year warranty, regardless of operating conditions. Frame kits are packaged with all hardware required to assemble units quickly and easily, allowing you to create a house boat of all sizes and shapes from compact square shape to luxurious rectangular.

- PERMITS ARE NOT REQUIRED UP TO 200 SQ. FT.
- INSTALLATION OF A HOUSE BOAT IN 5 DAYS.
- SEPARATE METAL FRAME FOR SELF-INSTALLATION IS AVAILABLE.



FLAT ROOF HOUSE ON THE WATER



PARAMETERS:

House Boat № 1 - Small.

Number of rooms | 3
Home area | 200 sq. ft.
Overall Dimension | W x D x H
 20 ft. x 10 ft. x 10 ft.

PRICE \$

*Membership Save Up To 20% Off

House Boat № 2 - Medium.

Number of rooms | 4
Home area | 600 sq. ft.
Overall Dimension | W x D x H
 30 ft. x 20 ft. x 10 ft.

PRICE \$

*Membership Save Up To 20% Off

House Boat № 3 - Large.

Number of rooms | 5
Home area | 1350 sq. ft.
Overall Dimension | W x D x H
 45 ft. x 30 ft. x 10 ft.

PRICE \$

*Membership Save Up To 20% Off

INCLUDED IN THE PRICE:

- **Frame** | 18Ga Weather-resistant Galvanized Steel | Non-Combustible
- **Insulation** | Mineral wool
- **Finishing** | Internal and external walls
- **Roofing** | Metal
- **Glazing** | Windows and doors
- **Communications** | Water supply, sewerage and electrics
- **Equipment** | Kitchen, bathroom
- **Furniture** | Kitchen, bedroom, bathroom, livingroom

RESIDENTIAL HOUSES

FULLY BUILT RESIDENTIAL HOME WITH INTERIOR DESIGN

The project of a residential building in a modern American style with a pitched roof and panoramic windows. Thoughtful comfortable layout, lighting and furnished interiors filled with comfort and coziness. Each room has built-in storage systems. The facade of the house is combined of decorative plaster and wood inserts. Suitable for a family of 5-6 people. A barbecue area and a summer terrace are provided in the backyard.

The frame of the house is made of galvanized steel, which provides a solid foundation and a long service life with a 30-year warranty. da

- COMPLETE TURNKEY CONSTRUCTION CYCLE.
- INSTALLATION OF A RESIDENTIAL HOUSE FROM 4 TO 6 MONTH.
- ALL PERMITS AND APPROVALS IN THE TOWNSHIP ARE INCLUDED.

SLOPING ROOF PRIVATE HOUSE



MODERN HOUSE WITH A SLOPING ROOF



PARAMETERS:

Residential House № 1 - Small.

Number of rooms | 4
Home area | 750 sq. ft.
Overall Dimension | W x D x H
 30 ft. x 25 ft. x 15 ft.

PRICE \$

*Membership Save Up To 20% Off

Residential House № 2 - Medium.

Number of rooms | 6
Home area | 1000 sq. ft.
Overall Dimension | W x D x H
 40 ft. x 25 ft. x 15 ft.

PRICE \$

*Membership Save Up To 20% Off



Residential House № 3 - Large.

Number of rooms | 8
Home area | 1350 sq. ft.
Overall Dimension | W x D x H
 45 ft. x 30 ft. x 15 ft.

PRICE \$

*Membership Save Up To 20% Off



INCLUDED IN THE PRICE:

- **Frame** | 18Ga Weather-resistant Galvanized Steel | Non-Combustible
- **Insulation** | Mineral wool
- **Finishing** | Internal and external walls
- **Roofing** | Metal
- **Glazing** | Windows and doors
- **Equipment** | Kitchen, bathroom
- **Furniture** | Kitchen, bedroom, bathroom, livingroom
- **Communications** | Water supply, sewerage and electrics
- **Foundation** | Pile screw or monolithic

RESIDENTIAL HOUSES

FULLY BUILT RESIDENTIAL HOME WITH INTERIOR DESIGN

The project of a residential building in a modern American style with a flat roof and panoramic windows. Thoughtful comfortable layout, lighting and furnished interiors filled with comfort and coziness. Each room has built-in storage systems. The facade of the house is combined of decorative plaster and wood inserts. Suitable for a family of 5-6 people. A barbecue area and a summer terrace are provided in the backyard.

The frame of the house is made of galvanized steel, which provides a solid foundation and a long service life with a 30-year warranty. da

- COMPLETE TURNKEY CONSTRUCTION CYCLE.
- INSTALLATION OF A RESIDENTIAL HOUSE FROM 4 TO 6 MONTH.
- ALL PERMITS AND APPROVALS IN THE TOWNSHIP ARE INCLUDED.

FLAT ROOF PRIVATE HOUSE



MODERN HOUSE WITH A FLAT ROOF



PARAMETERS:

Residential House № 4 - Small.

Number of rooms | 4
Home area | 750 sq. ft.
Overall Dimension | W x D x H
 30 ft. x 25 ft. x 15 ft.

PRICE \$

*Membership Save Up To 20% Off

Residential House № 5 - Medium.

Number of rooms | 6
Home area | 1000 sq. ft.
Overall Dimension | W x D x H
 40 ft. x 25 ft. x 15 ft.

PRICE \$

*Membership Save Up To 20% Off

Residential House № 6 - Large.

Number of rooms | 8
Home area | 1350 sq. ft.
Overall Dimension | W x D x H
 45 ft. x 30 ft. x 15 ft.

PRICE \$

*Membership Save Up To 20% Off

INCLUDED IN THE PRICE:

- **Frame** | 18Ga Weather-resistant Galvanized Steel | Non-Combustible
- **Insulation** | Mineral wool
- **Finishing** | Internal and external walls
- **Roofing** | Metal
- **Glazing** | Windows and doors
- **Equipment** | Kitchen, bathroom
- **Furniture** | Kitchen, bedroom, bathroom, livingroom
- **Communications** | Water supply, sewerage and electrics
- **Foundation** | Pile screw or monolithic

